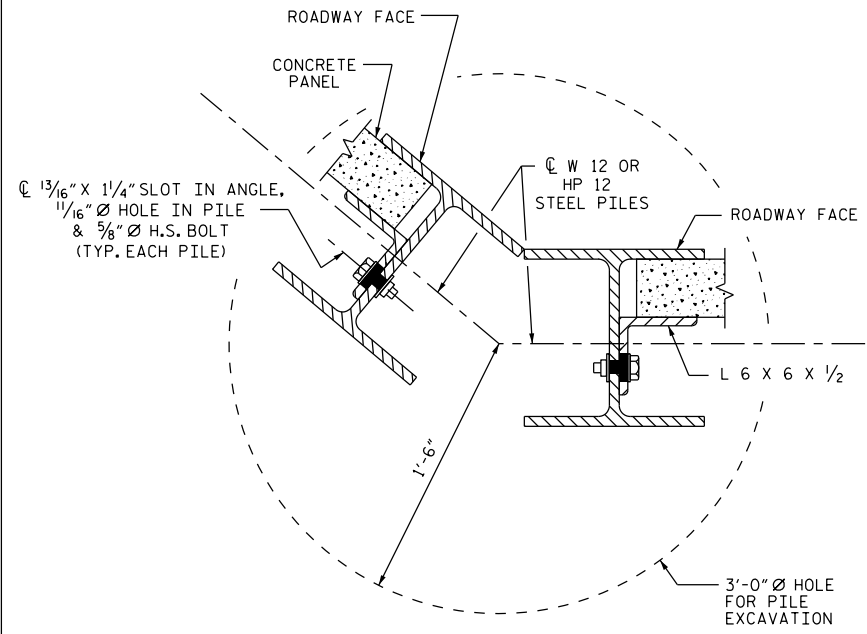
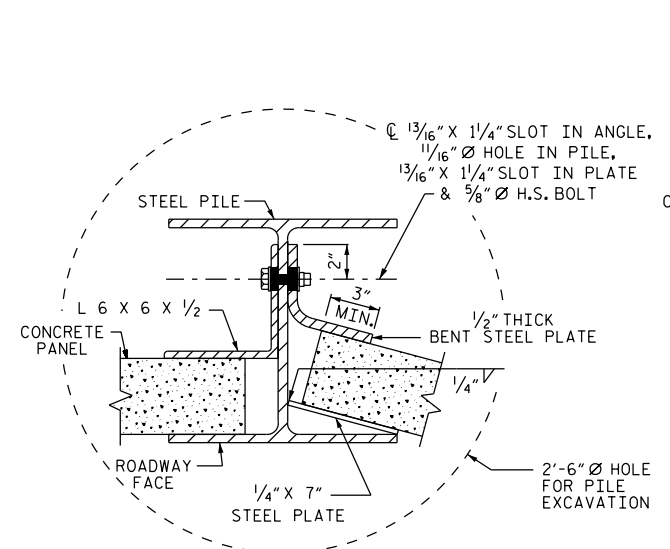


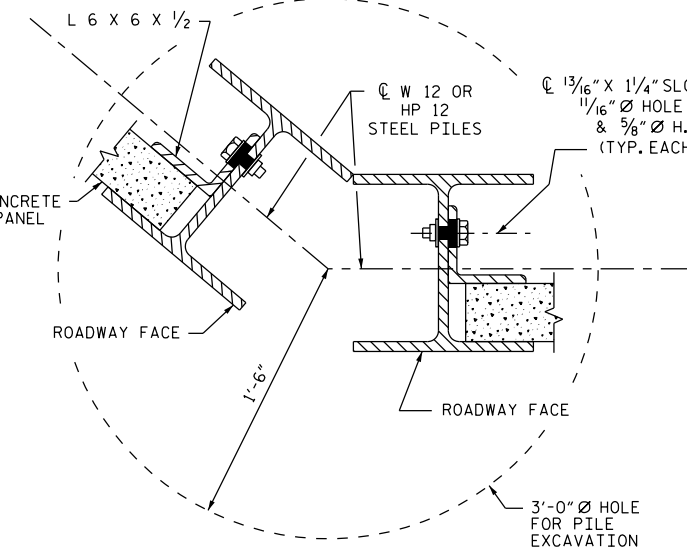
BILL OF MATERIAL	
SOUND BARRIER WALL	S.F.
QUANTITIES PROVIDED ARE APPROXIMATE AND ARE FOR BID PURPOSES ONLY.	



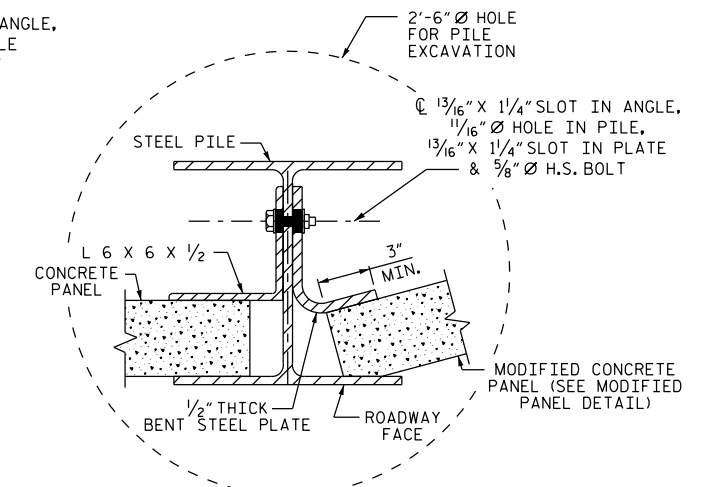
TYPICAL WALL TURN DETAIL  
(FOR GREATER THAN 15° TURNS, CONCAVE TOWARD ROADWAY)



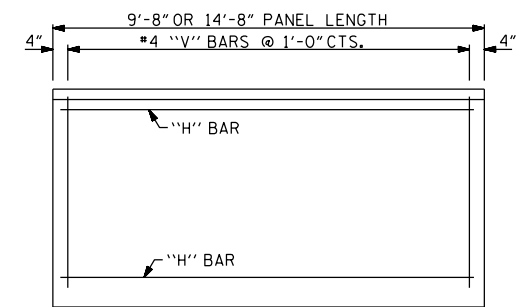
TYPICAL WALL TURN DETAIL  
(USE ONLY FOR TURNS 15° OR LESS, CONCAVE TOWARD ROADWAY)



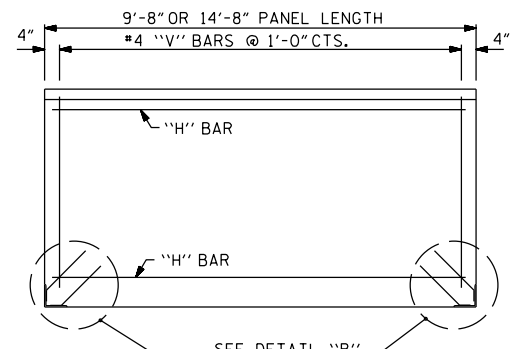
TYPICAL WALL TURN DETAIL  
(FOR GREATER THAN 15° TURNS, CONVEX TOWARD ROADWAY)



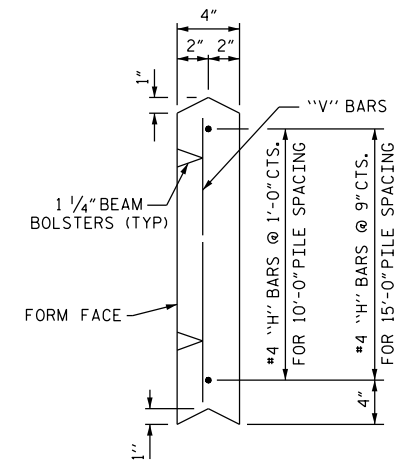
TYPICAL WALL TURN DETAIL  
(USE ONLY FOR TURNS 15° OR LESS, CONVEX TOWARD ROADWAY)



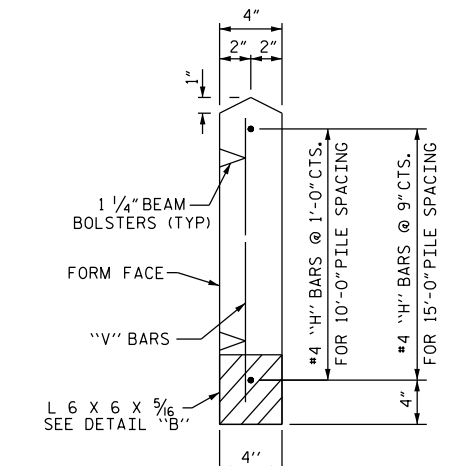
FRONT ELEVATION OF UPPER PRECAST PANELS



FRONT ELEVATION OF BOTTOM PRECAST PANEL

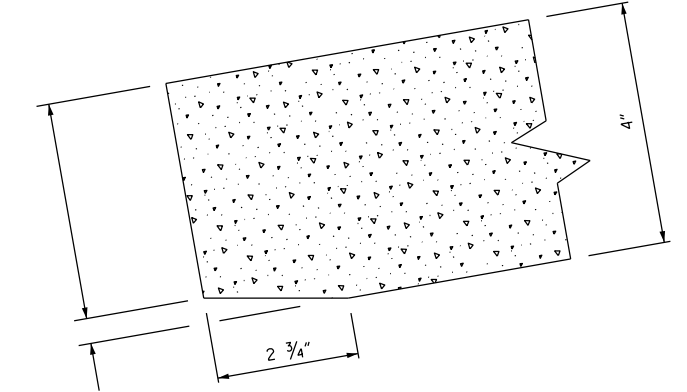


UPPER PANEL

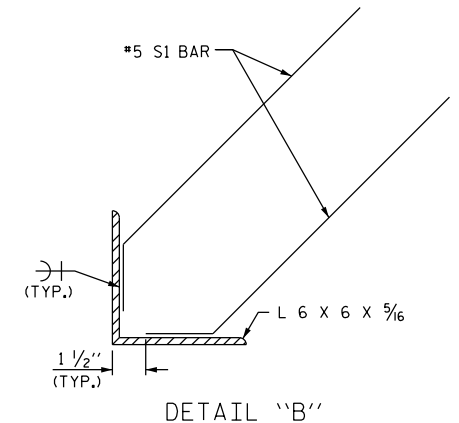


BOTTOM PANEL

SECTION THROUGH PRECAST PANELS



MODIFIED PANEL DETAIL  
(USE ONLY FOR TURNS 15° OR LESS, CONVEX TOWARD ROADWAY)



DETAIL "B"

ADDITIONAL BARS FOR ONE BOTTOM PANEL

NO.	BAR SIZE	TYPE	LENGTH	WEIGHT (lb)
4	S1	#5	1'-6"	6

BAR TYPE

QUANTITIES FOR ONE PRECAST PANEL (FOR 10'-0" PILE SPACING)

PANEL HEIGHT	CLASS AA CONCRETE C.Y.	BAR TYPES											
		HORIZONTAL						VERTICAL					
		NO.	BAR SIZE	TYPE	LENGTH	WEIGHT (lb)	NO.	BAR SIZE	TYPE	LENGTH	WEIGHT (lb)		
2'-0"	0.24	3	H1	#4	STR	9'-4"	19	10	V1	#4	STR	1'-8"	11
3'-0"	0.36	4	H2	#4	STR	9'-4"	25	10	V2	#4	STR	2'-8"	18
4'-0"	0.48	5	H3	#4	STR	9'-4"	31	10	V3	#4	STR	3'-8"	24

QUANTITIES FOR ONE PRECAST PANEL (FOR 15'-0" PILE SPACING)

PANEL HEIGHT	CLASS AA CONCRETE C.Y.	BAR TYPES											
		HORIZONTAL						VERTICAL					
		NO.	BAR SIZE	TYPE	LENGTH	WEIGHT (lb)	NO.	BAR SIZE	TYPE	LENGTH	WEIGHT (lb)		
3'-0"	0.54	5	H1	#4	STR	14'-4"	48	15	V1	#4	STR	2'-8"	27
4'-0"	0.72	6	H2	#4	STR	14'-4"	57	15	V2	#4	STR	3'-8"	37
5'-0"	0.91	7	H3	#4	STR	14'-4"	67	15	V3	#4	STR	4'-8"	47
6'-0"	1.09	8	H4	#4	STR	14'-4"	77	15	V4	#4	STR	5'-8"	57

ASSEMBLED BY : \_\_\_\_\_ DATE : \_\_\_\_\_  
 CHECKED BY : \_\_\_\_\_ DATE : \_\_\_\_\_  
 DRAWN BY : JAD 5/01 REV. 5/1/06R KMM/GM  
 CHECKED BY : RDR 5/01 REV. 10/1/11 MAA/GM  
 REV. 1/15/14 RWW/TMG

PROJECT NO. \_\_\_\_\_  
 \_\_\_\_\_ COUNTY  
 STATION: \_\_\_\_\_

SHEET OF  
 STATE OF NORTH CAROLINA  
 DEPARTMENT OF TRANSPORTATION  
 RALEIGH  
 STANDARD  
 SOUND BARRIER WALL  
 DETAILS  
 (STEEL PILES)

NO.	REVISIONS			SHEET NO.
	BY:	DATE:		
1			3	TOTAL SHEETS
2			4	